

## Outdoor Omni-directional Antenna

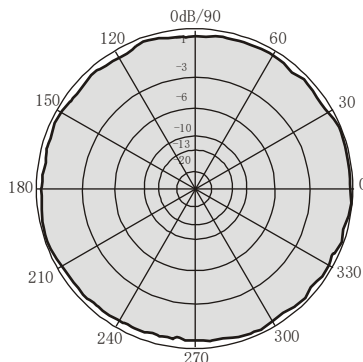
Model No.: HD-LG-DV000811360-00NF-T0F



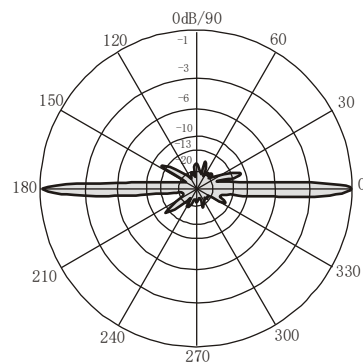
### Product Specifications:

Electrical	
Frequency Band, MHz	1920-2170
Horizontal Beamwidth, degrees	360
Gain, Port 1, dBi	11 ± 1
VSWR/Return Loss, Port 1, dB	1.5 / 14
Impedance, Ohm	50
Polarization	Vertical
Beamwidth, horizontal	360
Beamwidth, vertical	7
Maximum input power, watts	120

Mechanical	
Number of Ports, all types	N-Female
Radome Color	Grey
Radome Material	Fiberglass
Net size, diameter * length, mm	38 * 1330mm
Operating Temperature	-40 °C to +85 °C (-40 °F to +185 °F)
Maximum Wind-loading	210 kph
Ingress Protection Test Method	IP65
Net Weight	1.6 kg



水平面方向图  
Horizontal Pattern



垂直面方向图  
Vertical Pattern