

Outdoor Omni-directional Antenna

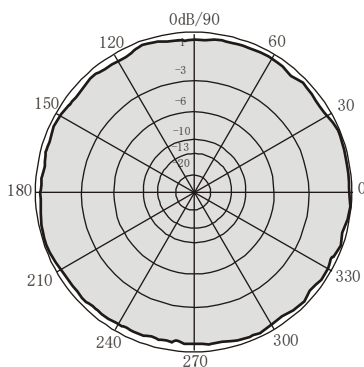
Model No.: HD-XD-OV000411360-00NF-T0F



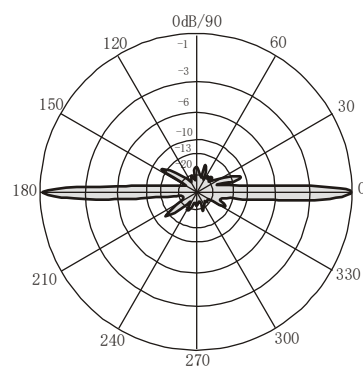
Product Specifications:

Electrical	
Frequency Band, MHz	806 - 960
Horizontal Beamwidth, degrees	360
Gain, Port 1, dBi	11 ± 1
VSWR/Return Loss, Port 1, dB	1.5 / 14
Impedance, Ohm	50
Polarization	Vertical
Beamwidth, horizontal	360
Beamwidth, vertical	7
Maximum input power, watts	100

Mechanical	
Number of ports, all types	N-Female
Radome color	Grey
Radome material	Fiberglass
Net size, diameter * length, mm	52 * 3000mm
Operating temperature	-40 °C to +70 °C
Maximum wind-loading	210 kph
Ingress protection test method	IP65
Net weight	4.5 kg



水平面方向图
Horizontal Pattern



垂直面方向图
Vertical Pattern