

## 698-3800MHz Low PIM Coaxial Power Divider

- Excellent PIM, -160dBc guaranteed
- Ultra-wideband: 698-3800MHz
- 300 watts average high power rating
- Minimal RF insertion loss
- IP65 for both indoor and outdoor operations
- Connector options: 4.3-10, 7/16 DIN

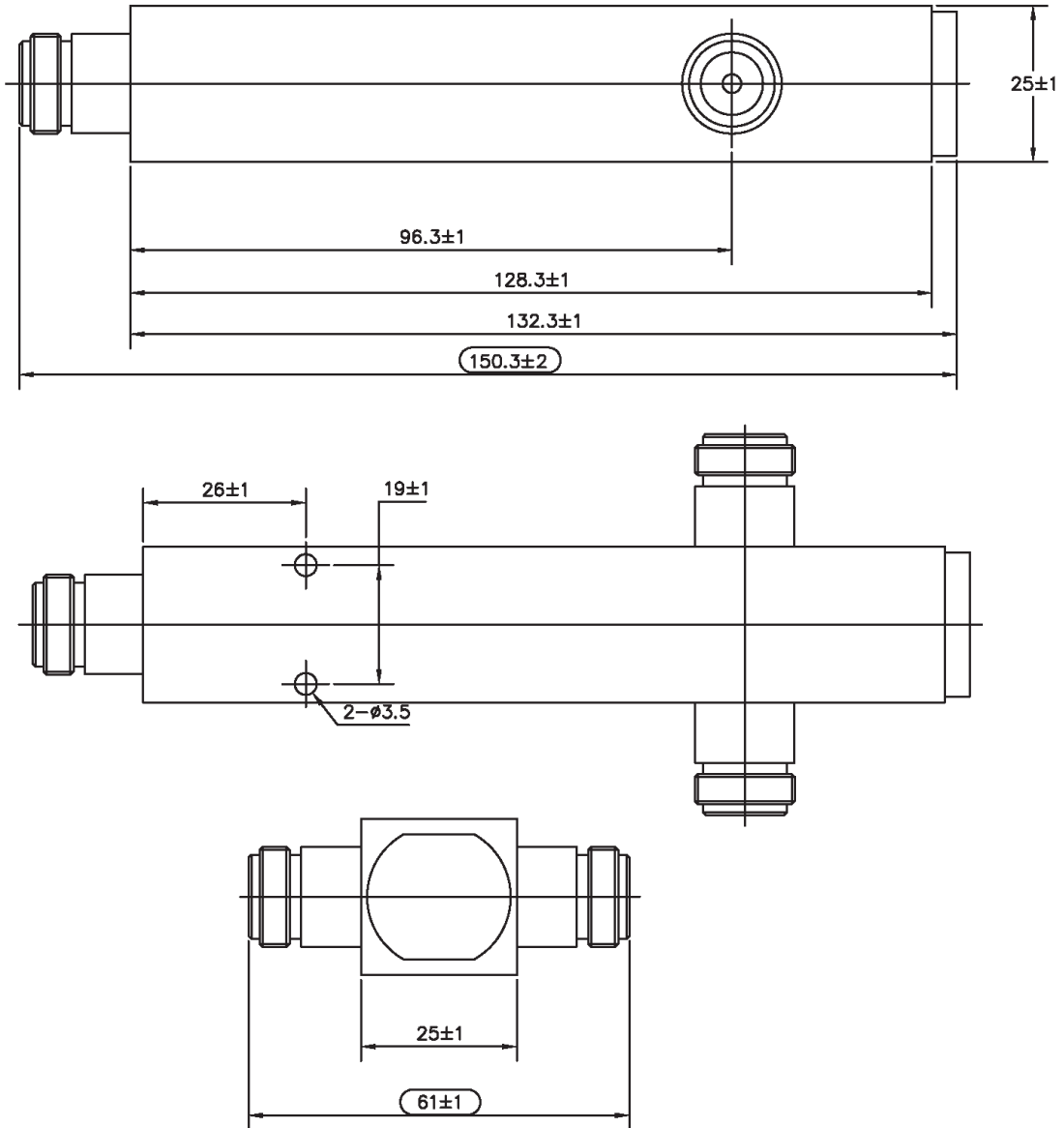


### Product Specifications:

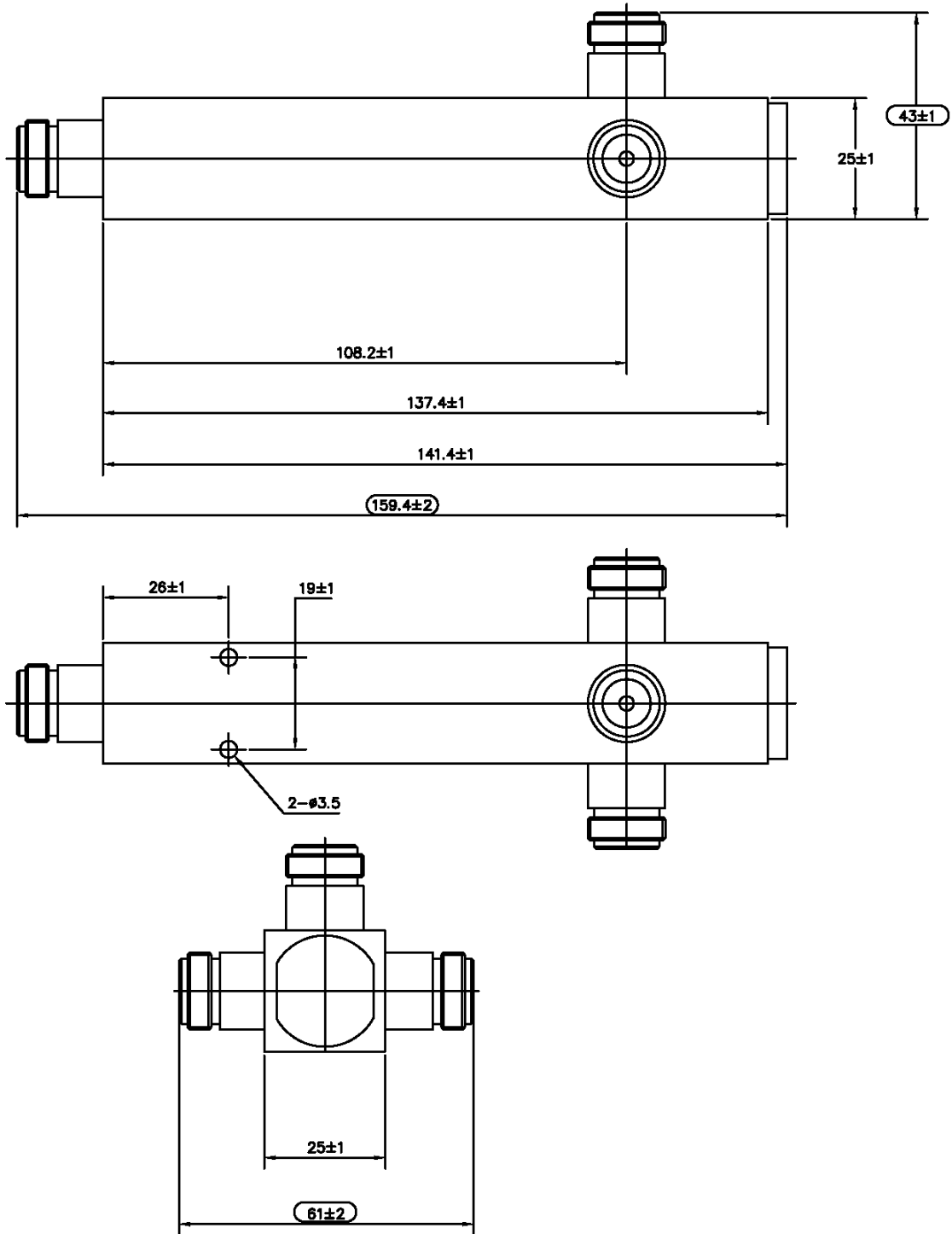
Electrical			
Model No.	CPD2-738-NF60	CPD3-738-NF60	CPD4-738-NF60
Frequency Range , MHz	698-3800		
Input VSWR	1.2 @ 698-2700MHz 1.35 @ 2701-3800MHz	1.2 @ 698-2700MHz 1.35 @ 2701-3800MHz	1.3
Split Loss, dB	3.0	4.8	6
Insertion Loss, dB	0.3 @ 698-2700MHz 0.5 @ 2701-3800MHz	0.3 @ 698-2700MHz 0.5 @ 2701-3800MHz	0.45 @ 698-2700MHz 0.6 @ 2701-3800MHz
Power Rating, Watts	300		
Peak Power, Watts	2500		
PIM 3 <sup>rd</sup> @2*43dBm, dBc	-160		
Input Impedance, Ohm	50		
Mechanical			
Connectors	N-Female		
Dimensions, mm	150*61*25	159.4*61*43	166*61*61
Weight, g	290	310	438
Temperature Range, °c	-30 ~ +75		
IP Level	IP65		
Applications	Indoor & Outdoor		

## Engineering Drawings

CPD2-738-NF60



CPD3-738-NF60



CPD4-738-NF60

